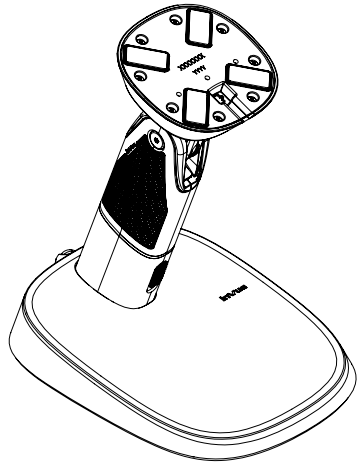
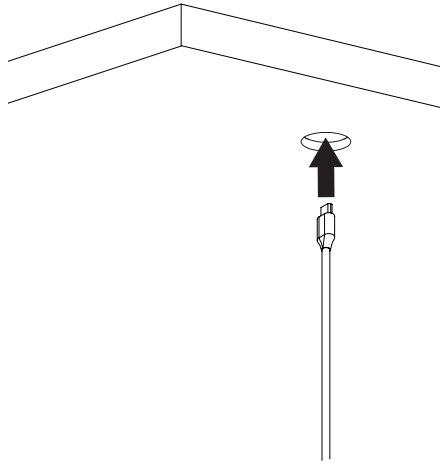


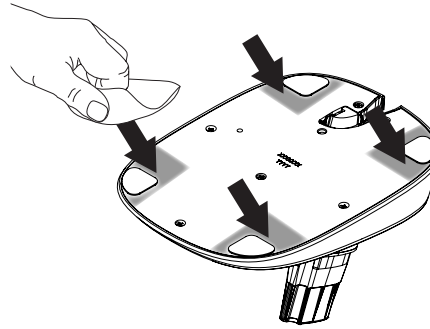
CT80 Tablet Handle & Counter Stand CTLH001 & CTLB001



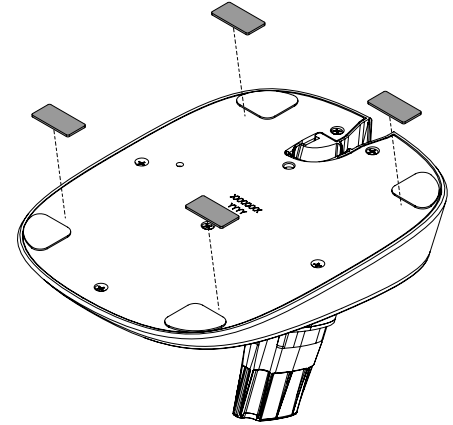
- 1** Route the OEM power cable up through the hole in the fixture.



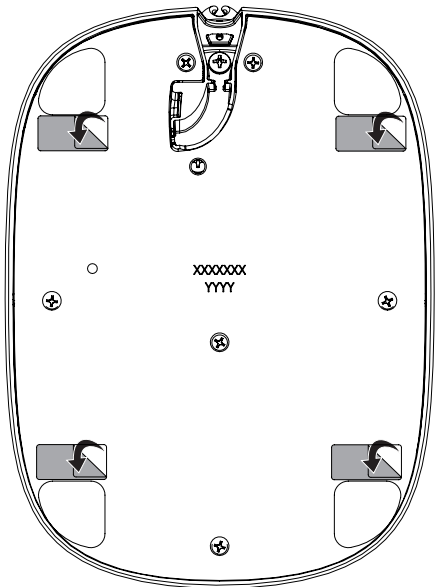
- 2a** **Optional:** If adhesive mounting the stand to a surface, first wipe the areas shown on the bottom of the stand with the provided alcohol wipe. Allow it to dry completely.



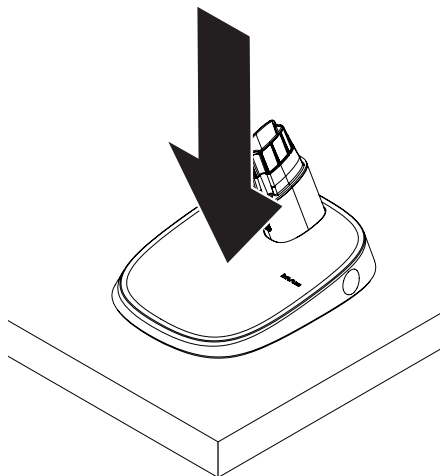
- 2b** Remove the adhesives from the paper backing and place them, sticky side down, on the bottom of the stand as shown.



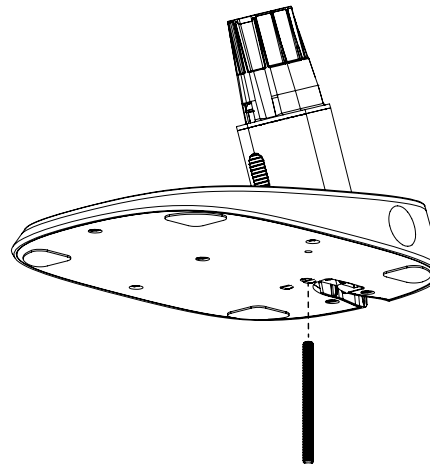
- 2c** Peel the clear film from the adhesives.



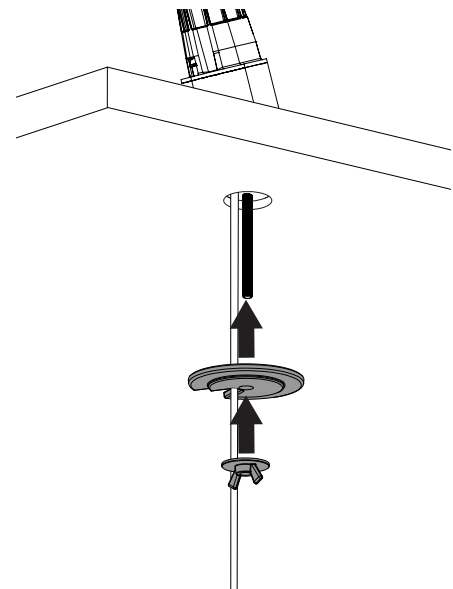
- 2d** Place the stand in the desired location on the surface and apply pressure for at least 10 seconds.



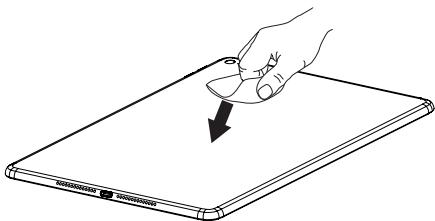
- 3a** **Optional:** If using the stud mount kit, screw the threaded stud into the bottom of the stand's base.



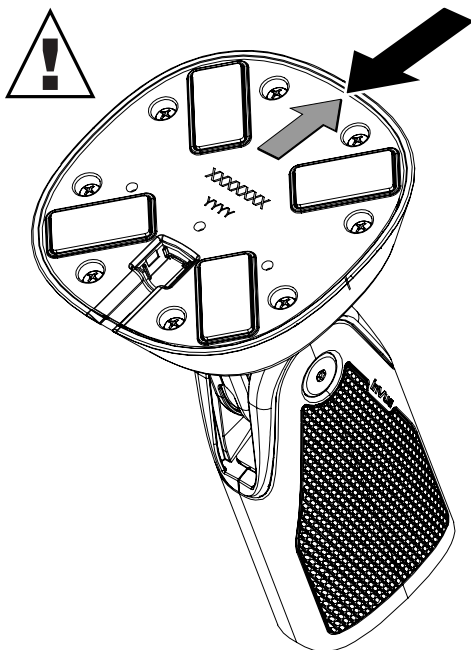
- 3b** Thread the plastic washer and the wingnut onto the stud.



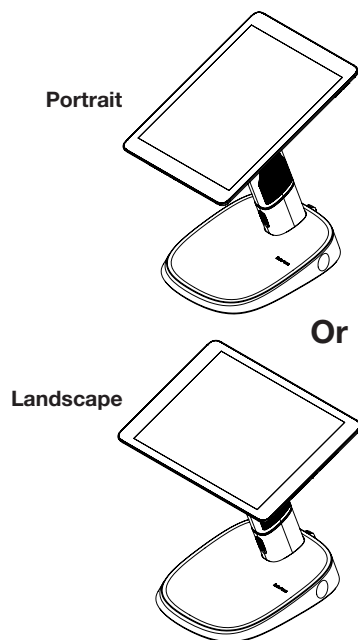
- 4 Using the provided alcohol wipe, clean the back of the tablet. Let it dry completely.



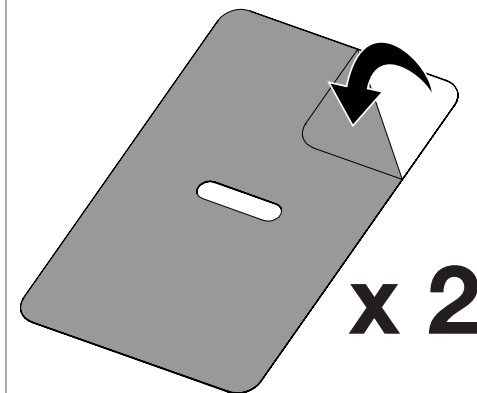
- 5 Orient the handle so that the arrow on the top will face the top of the tablet.



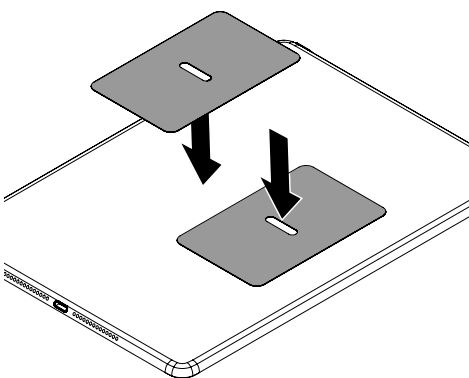
- 6 Determine the intended orientation of the device.



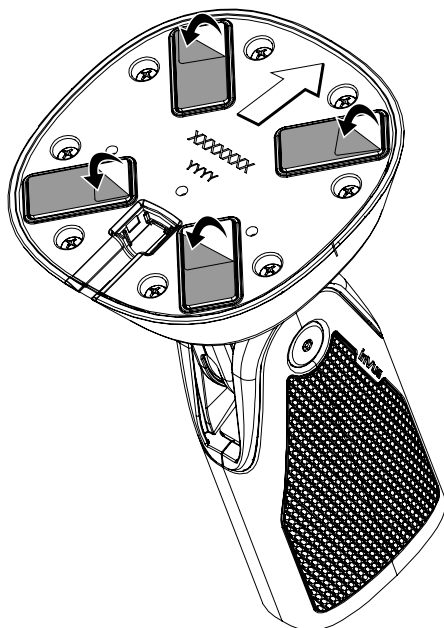
- 7a **Optional:** If using a device with an alternate material backing, LSE plates will be needed. Peel the paper backing from 2 LSE plates.



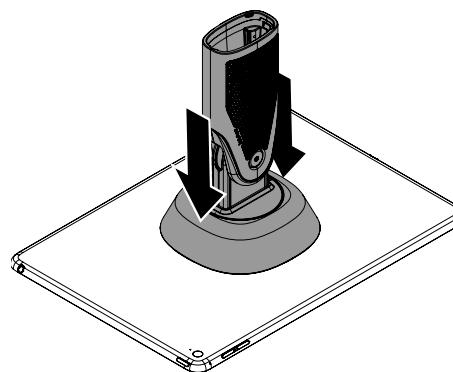
- 7b Center the 2 LSE plates, adhesive side down, onto the back of the device. Apply pressure for at least 10 seconds.



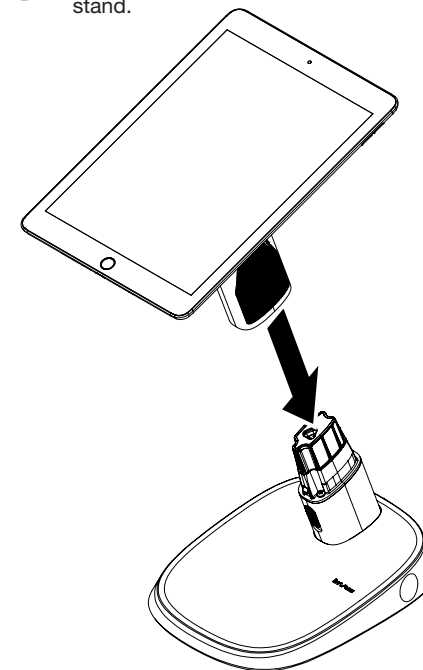
- 8 Remove the clear film from the adhesives on the handle.



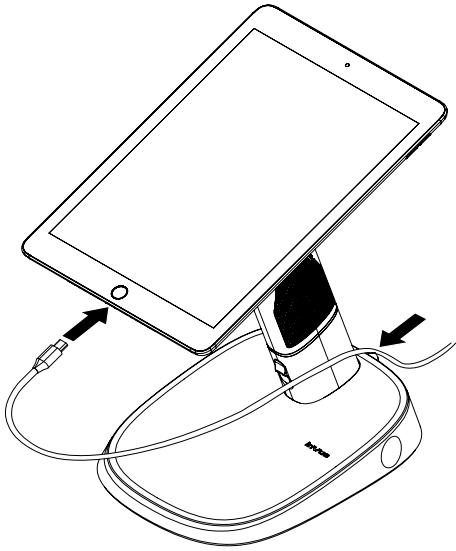
- 9 Center the top of the handle onto the back of the tablet and apply pressure for at least 10 seconds.



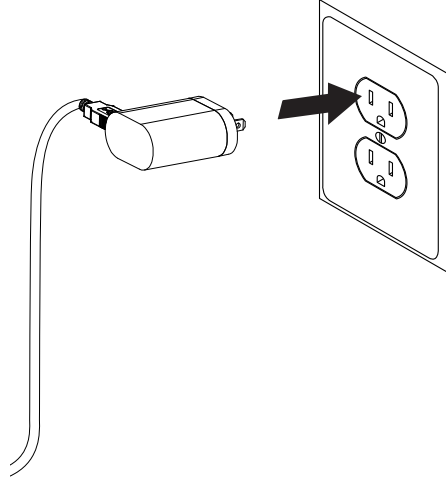
- 10 Place the handle and tablet onto the stand.



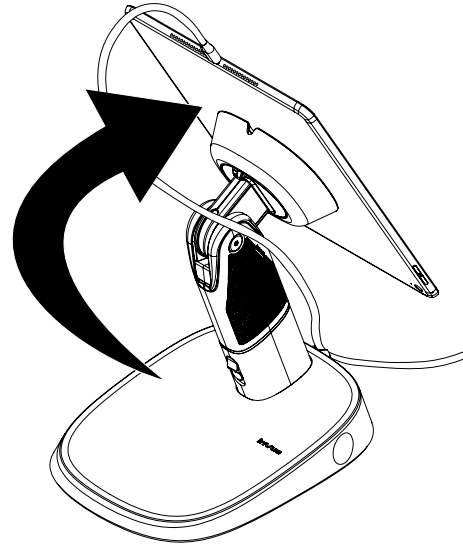
- 11 Plug the OEM power cable into the tablet and route the cable into the cable manager on the back of the base.



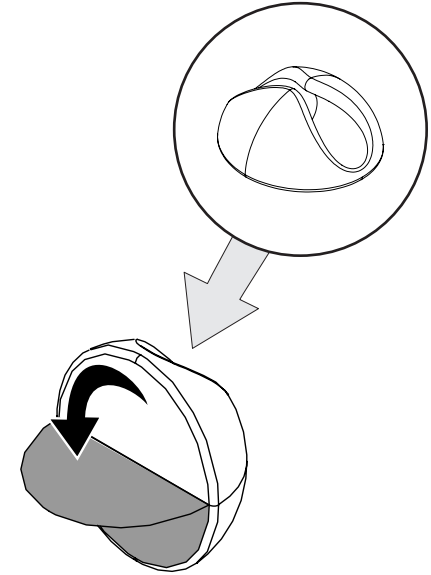
- 12 Plug the OEM power supply into the wall.



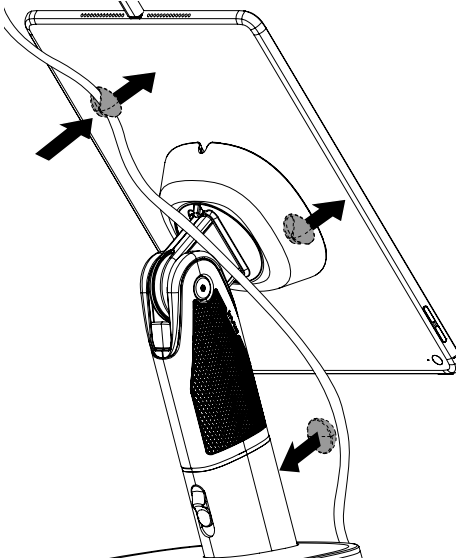
- 13 Flip the top of the handle and tablet back as shown.



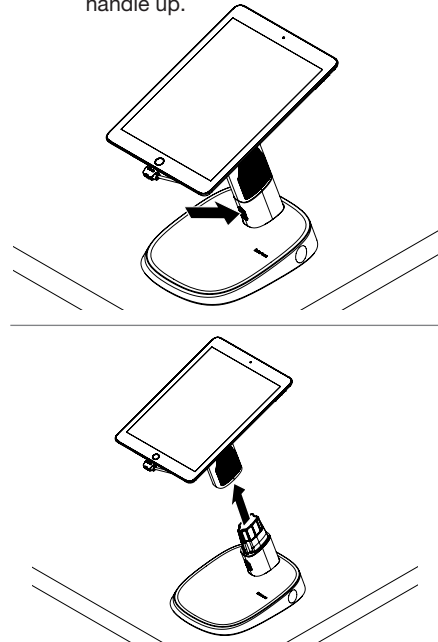
- 14a **Optional:** Peel the clear film from the 2 adhesive cable managers.



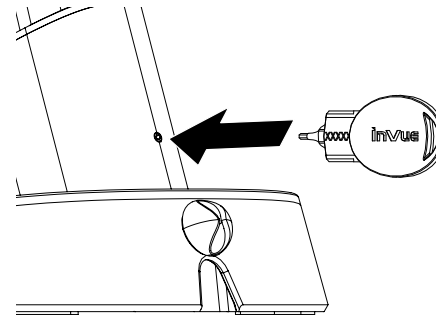
- 14b Place the OEM power cable into the cable managers. Place the adhesive cable managers **where desired** and apply pressure for at least 10 seconds.



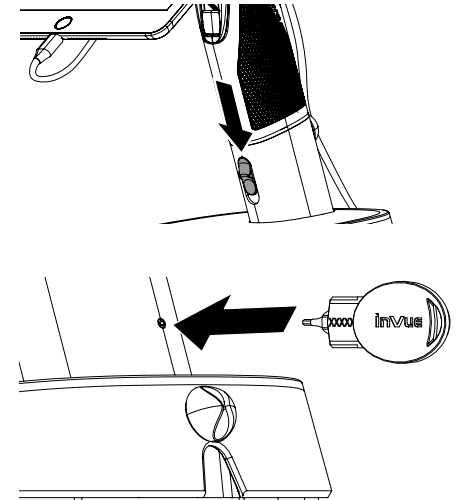
- 15 To release the handle from the stand, push the button down and pull the handle up.



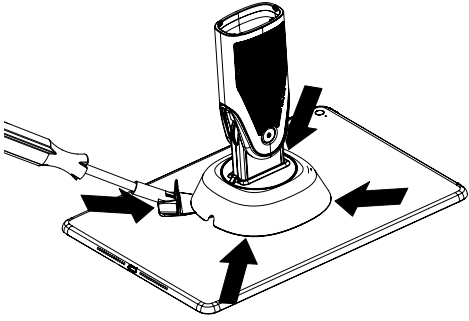
- 16a **Optional:** To lock the handle in the closed position, use the provided tool to tighten the set screw (approximately 3 turns) with the switch in the initial position. **Do not remove the screw.**



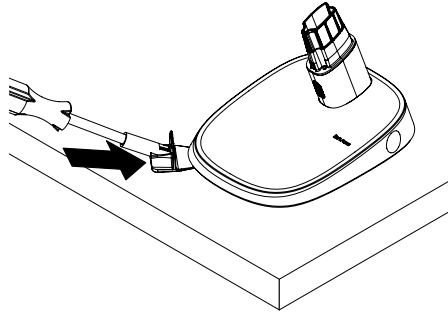
- 16b **Optional:** To lock the handle in the open position, push the switch down into the open position and use the provided tool to tighten the set screw (approximately 3 turns). **Do not remove the screw.**



- 17 To remove the CT80 handle, use the multitool scaper attachment (DNTX93) to break the adhesive bonds.



- 18 Use the scraper removal tool to remove the stand if it was adhesive mounted to the surface.



SD0522 Rev4 10/3/17

INVUE®

Perfectly connecting people and
tablets in the workplace.™

www.invue.com

NA / LATAM // 704.752.6513 • 888.55.INVUE

EMEA // +31.23.8900150

APAC // +852.3127.6811