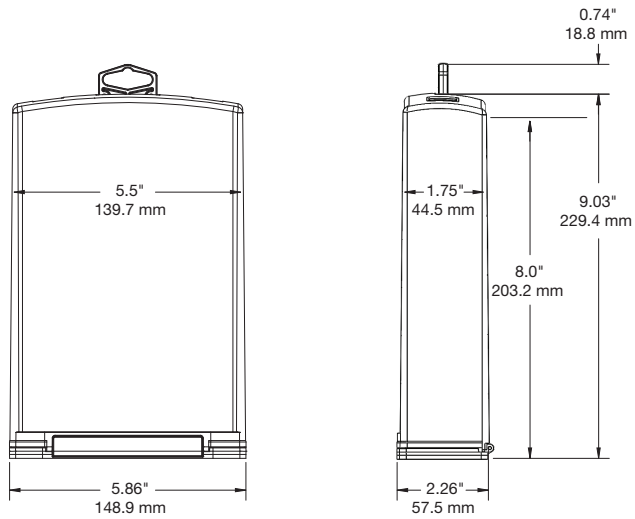
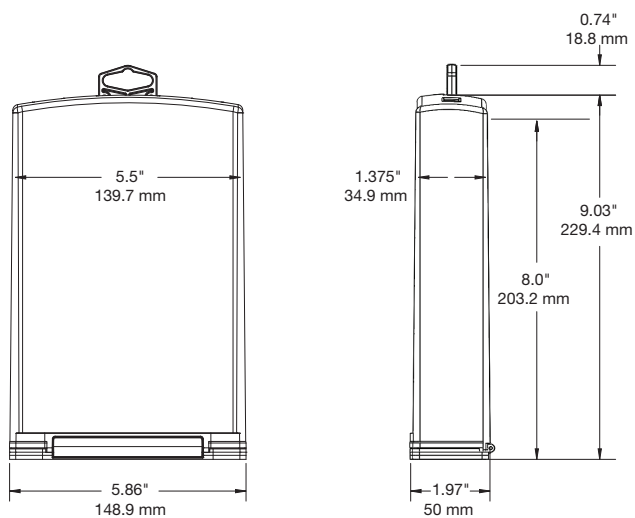


SPECIFICATIONS

Safer (NB1):

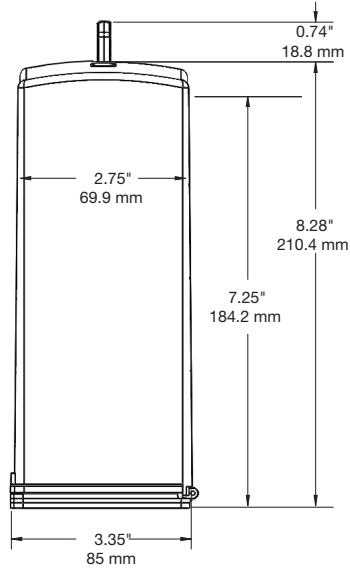
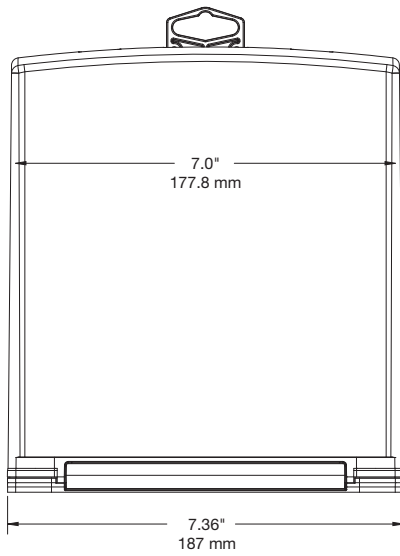


Safer (NB2):

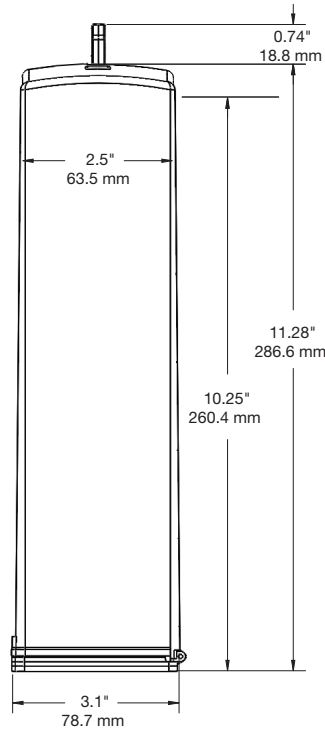
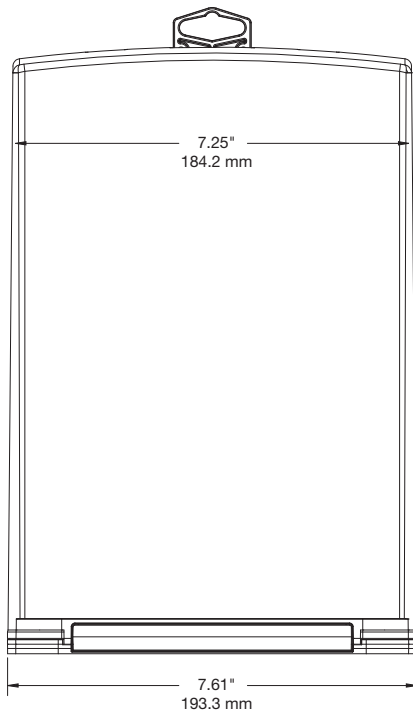


SPECIFICATIONS

Safer (NB3):

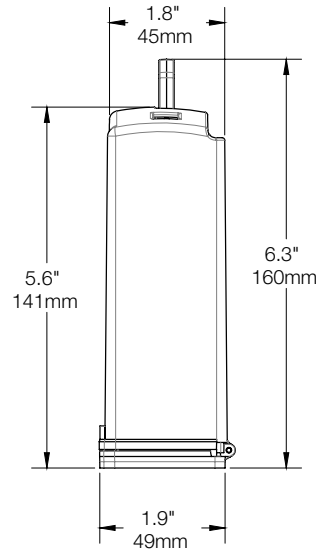
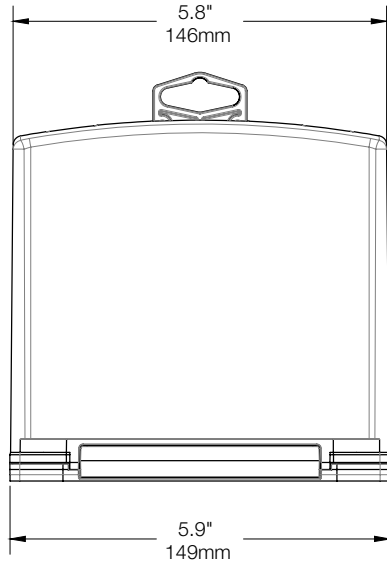


Safer (NB4):

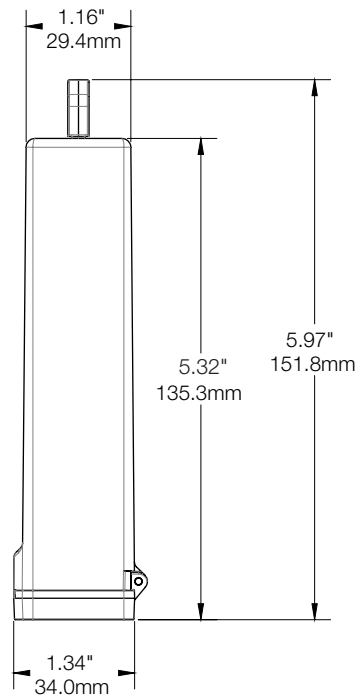
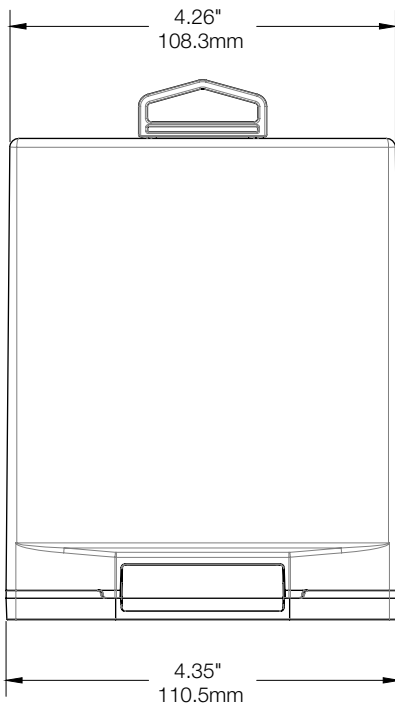


SPECIFICATIONS

Safer (NB5):

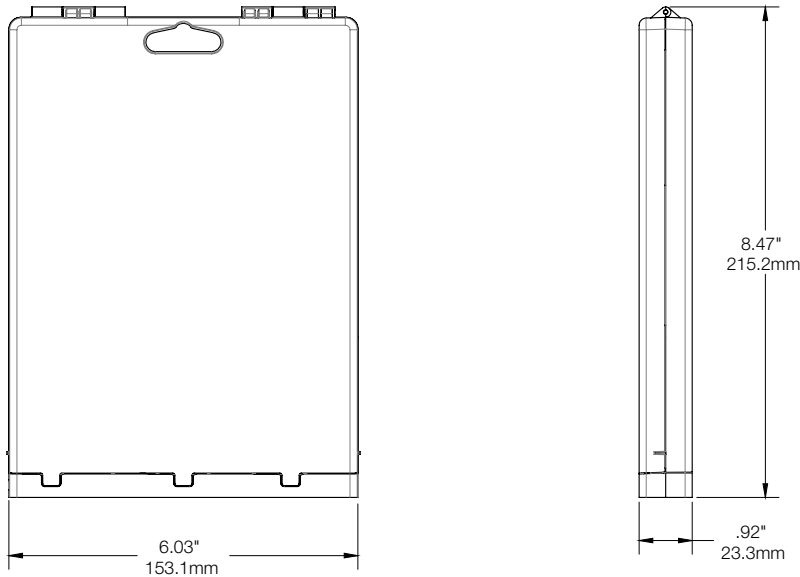


Safer (NB6):

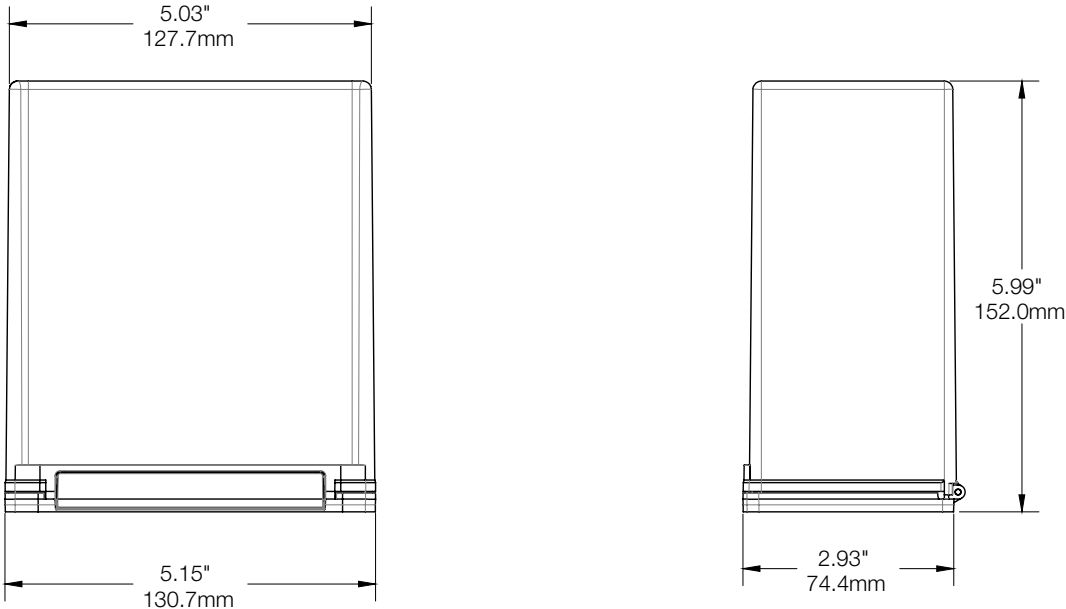


SPECIFICATIONS

Safer (NB10):

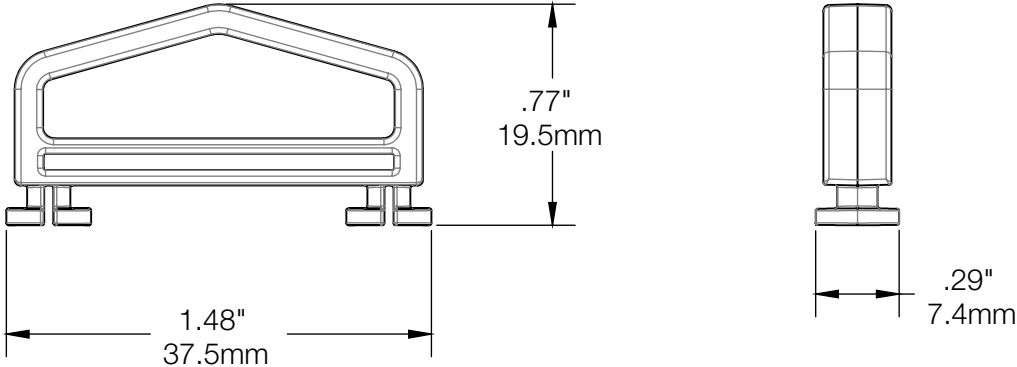


Safer (NB11):



SPECIFICATIONS

Safer Tag - Optional (NBTAG):



PRODUCT ORDERING

ORDER CODE	DESCRIPTION	INTERNAL DIMENSIONS	CARTON QTY.
NB1	Safer	8"H x 5.5"W x 1.75"D (203.2mm x 139.7mm x 44.5mm)	12
NB1-S	Safer - Swivel Tab	8"H x 5.5"W x 1.75"D (203.2mm x 139.7mm x 44.5mm)	12
NB2	Safer	8"H x 5.5"W x 1.375"D (203.2mm x 139.7mm x 34.9mm)	12
NB2-S	Safer - Swivel Tab	8"H x 5.5"W x 1.375"D (203.2mm x 139.7mm x 34.9mm)	12
NB3	Safer	7.25"H x 7"W x 2.75"D (184.2mm x 177.8mm x 69.9mm)	12
NB3-S	Safer - Swivel Tab	7.25"H x 7"W x 2.75"D (184.2mm x 177.8mm x 69.9mm)	12
NB4	Safer	10.25"H x 7.25"W x 2.5"D (260.4mm x 184.2mm x 63.5mm)	12
NB4-S	Safer - Swivel Tab	10.25"H x 7.25"W x 2.5"D (260.4mm x 184.2mm x 63.5mm)	12
NB5	Safer	5.6"H x 5.9"W x 1.8"D (141mm x 149mm x 45mm)	12
NB5-S	Safer - Swivel Tab	5.6"H x 5.9"W x 1.8"D (141mm x 149mm x 45mm)	12
NB6AM	Safer - AM	5.32"H x 4.26"W x 1.16"D (135.3mm x 108.3mm x 29.4mm)	12
NB6RF	Safer - RF	5.32"H x 4.26"W x 1.16"D (135.3mm x 108.3mm x 29.4mm)	12
NB10	Safer	8.5"H x 6.0"W x 0.9"D (215.2mm x 153.1mm x 23.3mm)	12
NB11	Safer	5.99"H x 5.03"W x 2.93"D (152mm x 127.7mm x 74.4mm)	12
NBTAG	Hang Tag for IR Safers (Optional) - Pack of 20		1

invue.com

©2019 InVue Security Products. No endorsement of InVue products has been made by any of the manufacturers of the products shown. Product is sold pursuant to InVue's warranty which can be found at www.invue.com/warranty.

THE AMERICAS 704.752.6513 • 888.55.INVUE
EUROPE, MIDDLE EAST & AFRICA +31.23.8900150
ASIA PACIFIC +852.3127.6811